

# Housed Underflow Magnet

## At A Glance



**Protection: Primary**



**Feed Type: Inclined Chute**



**Material Type: NdFeb**

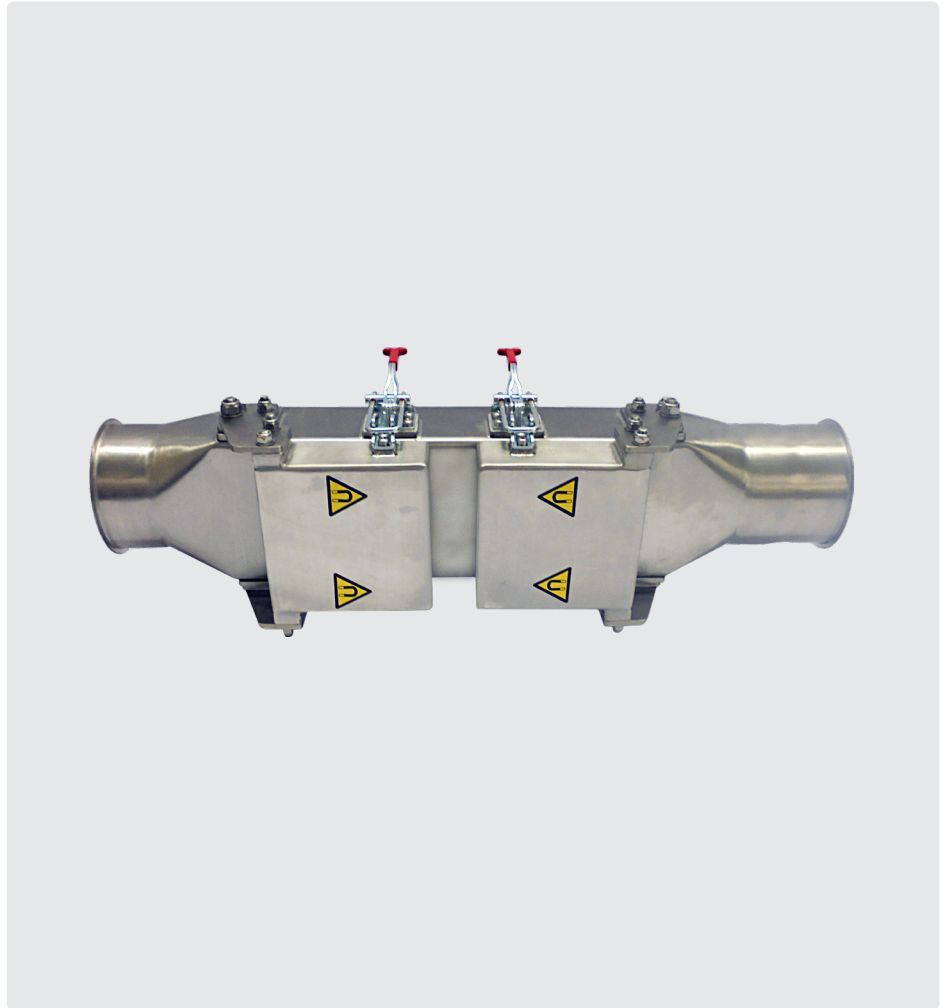


**Cleaning Type: Manual**

**The housed underflow magnet is available with a single or double underflow magnet array. They are suitable for installation into vertical, horizontal and inclined gravity feed chutes.**

Our high intensity underflow magnet has been designed to operate in arduous conditions and where contamination size is relatively large e.g. nuts, bolts etc. The unit incorporates two magnetic poles which generate high intensity magnetic fields. The unit is secured to the chute by a hinge and toggle clamp arrangement which ensure even pressure is generated around the seal to prevent any product leakage.

The housed underflow magnet can be incorporated into any form of angled pipe or chute section. A common installation location is raw material inlet points for products such as grain, rice, corn, bran and animal feed etc.



## Benefits

- Easy to clean
- Reduces 'spark' risk
- Meets audit requirements
- Maintains full flow
- Removes 'tramp' sized contaminants
- Rare Earth deep magnetic field

## Performance

Magnetic Performance	3,500 Gauss
Performance Reading	On magnetic front face
Magnet Grade	N35 – Inspected and confirmed prior to use
Temperature	-20°C / +90°C
Depth of Field	90mm

## Suitability

Suitable Products	Dry and semi dry powders, granulates and lumps etc
Suitable Location	All angled chute sections

## Materials

Magnetic Material	Rare Earth Neodymium Iron Boron - (NdFeb)
Housing	316 grade stainless steel
Other Parts	316 grade stainless steel
Hinge	304 grade stainless steel
Toggle Clamps	Zinc plated mild steel
Surface Finish	Brushed to 2.4µm

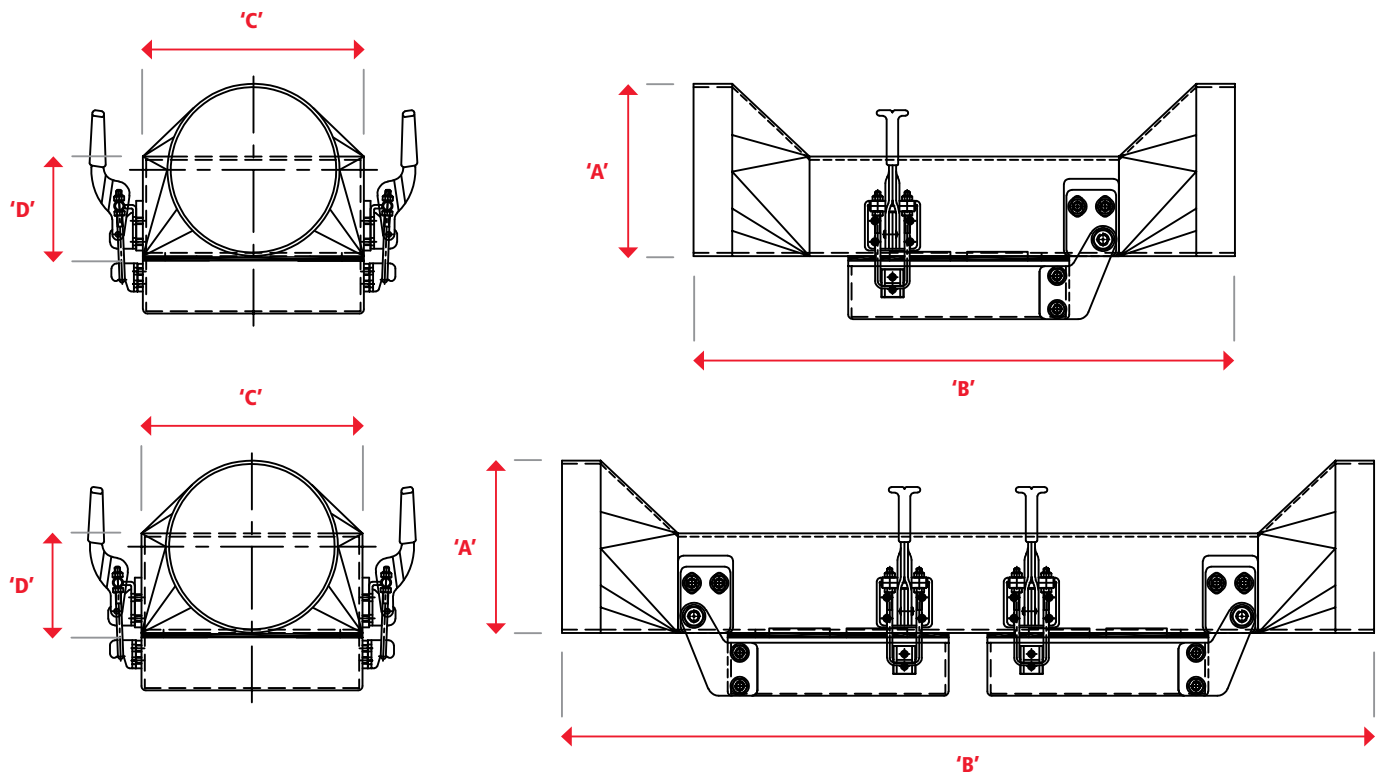
## Cleaning

Underflow magnets are very easy to clean. Simply release the two securing toggle clamps and allow the magnet to swing away under its own weight, this will give access to the magnetic face. All attracted contamination can now be removed by a gloved hand or scraper tool.

## Options

- Pharmaceutical specification
- Ceramic magnetic material
- Higher temperature versions available
- Sizes up to 2000mm long
- Higher gauss versions available

# Housed Underflow Magnet



Part Number (Single)	Inlet / Outlet A (mm / inch)	Length B (mm)	Width C (mm)	Thickness D (mm)
HUFS/50	50 / 2	440	150	90
HUFS/75	75 / 3	440	150	90
HUFS/100	100 / 4	440	150	90
HUFS/125	125 / 5	490	200	90
HUFS/150	150 / 6	490	200	90
HUFS/200	200 / 8	540	250	125

Part Number (Double)	Inlet / Outlet A (mm / inch)	Length B (mm)	Width C (mm)	Thickness D (mm)
HUFD/50	50 / 2	635	150	90
HUFD/75	75 / 3	635	150	90
HUFD/100	100 / 4	635	150	90
HUFD/125	125 / 5	735	200	90
HUFD/150	150 / 6	735	200	90
HUFD/200	200 / 8	835	250	125