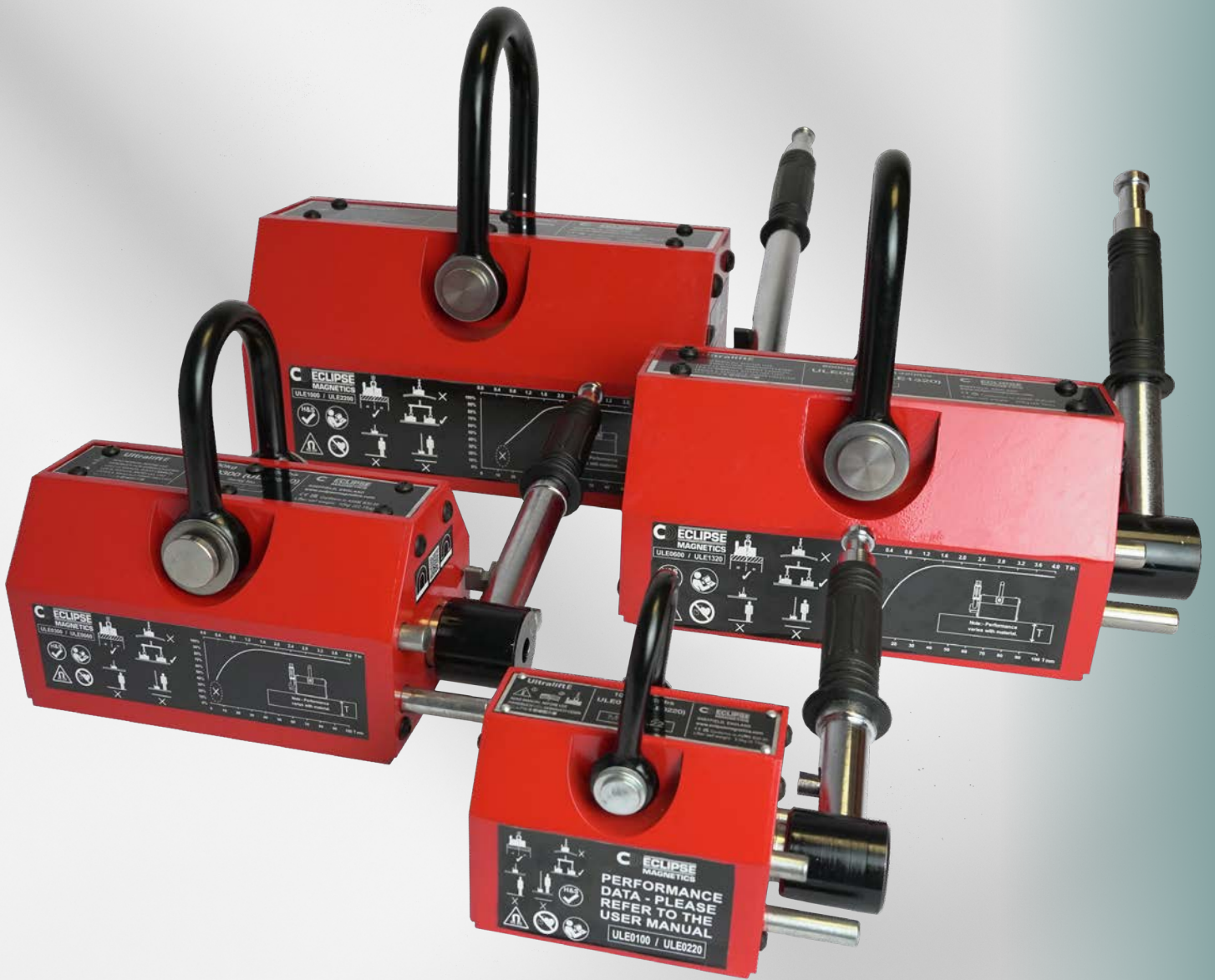


# Magnetic Lifters

Product range





Serving leading names in industry:

NSK

Yaskawa

Ford

TATA

JCB

Perkins

Caterpillar

Corus



# The Eclipse Magnetics Difference

Group buying power for raw materials.



Standard or made to order products (application specific).



Flexible approach for requirements from one off to multiple quantities.

Large stock holding / warehousing capability.



Scheduling orders for call-off (JIT).



Full in-house manufacturing facilities.

Multiple in-house testing facilities from factory to warehouse.



Bespoke UK centric Technical and Engineering teams.

Experienced staff with in-depth knowledge of material compositions.



Sector-wide application and industry experience.



# Process Efficiency Improvements

Ultimate speed & efficiency combined with total safety

Eclipse Magnetics' lifters are based on fail-safe magnetic technology. Ideally used for precision lifting and moving heavy steel stock. Magnetic lifting technology delivers world class results when handling ferrous loads compared to traditional methods such as slings, chains, hooks and grabs.

Other benefits of Magnetic Lifters include:

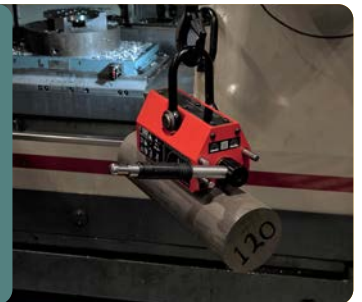
## Simple, easy use

ready to use in minutes, simple, safe operation



## Increased number of lifts per hour

simple on-off operation, engages the load in seconds



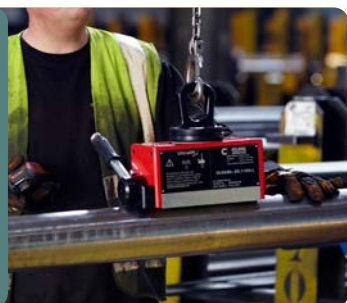
**Total safety**  
incorporates numerous fail-safe mechanisms



**Precision lifting**  
magnetic lifting systems provide a greater lift control



**Single person or automated use**  
complete safety, minimal training, labour efficient



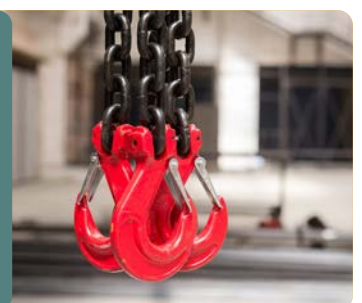
**Zero running costs**  
permanent magnetic technology does not require a sustained power source



**Optimise storage space**  
floor space optimised as access only required to one lifting face



**No load damage**  
protects the product finish, ideal for painted or coated surfaces







## Total safety - the safest way to lift ferrous loads

Operation safety is the foremost consideration in the design of all our magnetic lifters.

Permanent magnetic technology with built in fail-safe mechanisms and a 3:1 Working Load Limit (WLL) ensures complete safety for all operations.

All our lifters comply with:

- The Supply of Machinery (Safety) Regulations 2008
- The Electrical Equipment (Safety) Regulations 2016
- The Electromagnetic Compatibility Regulations 2016
- Lifting Equipment Regulations 1998 (LOLER)
- Provision and Use of Work Equipment Regulations 1998 (PUWER)
- ASME BS30.20-2010.



# Magnetic Lifter Applications

Optimising process efficiency in diverse applications

## Raw Materials



Our lifting and handling systems are widely used for handling raw materials in primary production stages, such as:

- Steel stockholders
- Steel production
- Steel fabrication shops
- Forgings and castings
- Tin products
- Coil handling
- Slab and plate transfer
- Profile picking

## Manufacturing



Maximum efficiency combined with total safety are key requirements for demanding manufacturing applications. Our products are widely used in:

- Yellow goods manufacture
- Feed conveyors
- Digger blades
- Assembly lines
- Machine shops
- Mould making
- Bearing manufacture
- Canned food lines
- Paint cans
- Jar handling systems
- Tin can manufacture
- Turbo manufacture
- Springs
- Brake manufacture
- Engine block manufacture

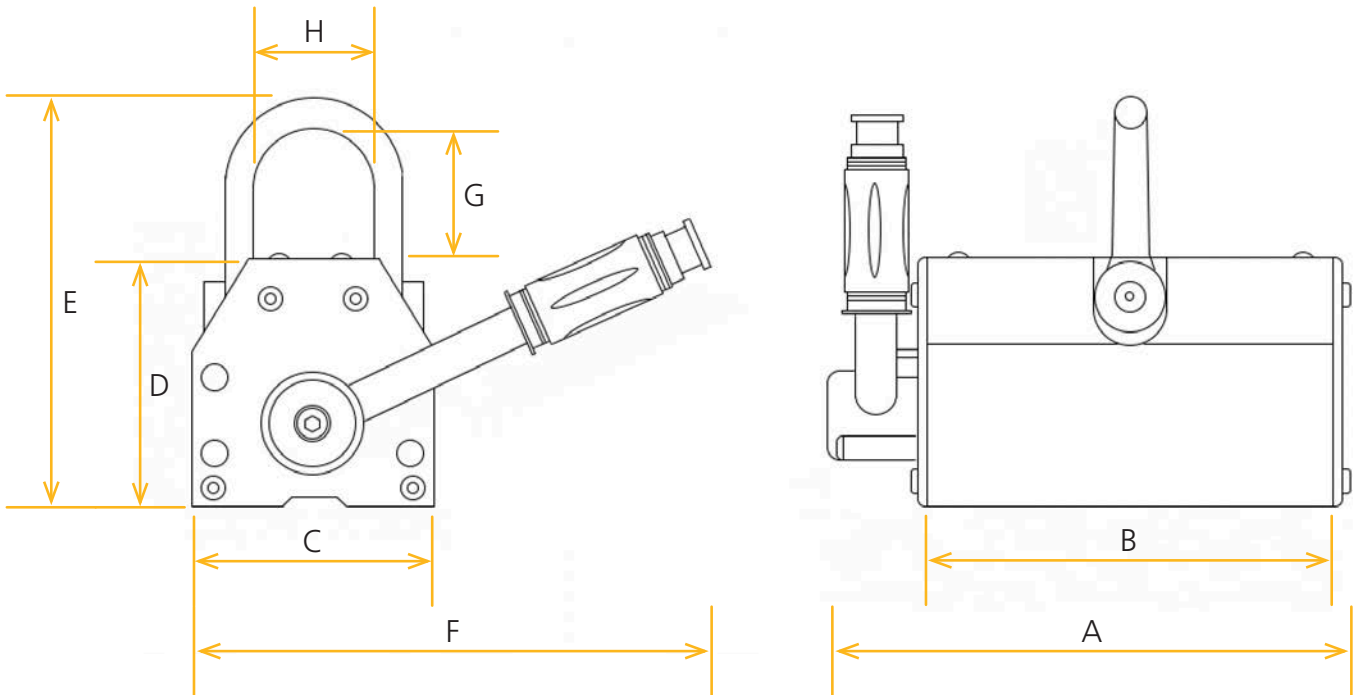


# Ultralift E

Cost-effective choice for high performance lifting



## Technical Data



| Part Number | Dimensions (mm) |     |     |     |     |     |     |    | Self Weight<br>kg | Flat Section |                      |                   | Round Section |                     | Units Per Pack |
|-------------|-----------------|-----|-----|-----|-----|-----|-----|----|-------------------|--------------|----------------------|-------------------|---------------|---------------------|----------------|
|             | A               | B   | C   | D   | E   | F   | G   | H  |                   | WLL*         | Thickness Min.<br>mm | Length Max.<br>mm | WLL*          | Diameter Max.<br>mm |                |
| ULE0100     | 131             | 91  | 65  | 75  | 124 | 185 | 45  | 32 | 3                 | 100          | 15                   | 1000              | 50            | 80                  | 1              |
| ULE0300     | 202             | 157 | 95  | 95  | 169 | 253 | 63  | 46 | 10                | 300          | 20                   | 1500              | 150           | 100                 | 1              |
| ULE0600     | 283             | 248 | 120 | 118 | 220 | 280 | 90  | 61 | 23                | 600          | 30                   | 2000              | 300           | 140                 | 1              |
| ULE1000     | 350             | 308 | 136 | 140 | 269 | 310 | 110 | 79 | 39                | 1000         | 40                   | 2500              | 500           | 180                 | 1              |

\* Working Load Limit.

\*\* Do not operate at maximum length and maximum diameter on the same item. ALWAYS work within WLL stated.



- Transform your Lifting solutions with our brand new to market, cost-effective Ultralift E Magnetic Lifter
- Guaranteed 3:1 Working Load Limit (WLL) at competitive prices
- Large stock holding/warehousing capability for fast delivery
- Bespoke UK centric Technical and Engineering teams for product support and servicing requirements





# Ultralift Plus

Our Premier range of magnetic lifters for ultimate lifting performance

- The premier manually switchable magnetic lifter
- Provides fast and efficient lifting
- A range of built in safety features
- Guaranteed 3:1 Working Load Limit (WLL)

## Primary Safety

**Lifting Eye** – once the lifting eye is under tension with the load a patented mechanism locks the handle ensuring that the raised load cannot be released either deliberately or accidentally.

**No Running Costs - No power required.**

## Secondary Safety

**Safety Button** - A safety catch locks the handle in the "on" position. This prevents any accidental release of the load once engaged.

**Handle** - After releasing the safety mechanisms, the magnet can be released easily, by using one hand.

**Space Saving** - Access only required to the load's top face allowing more efficient use of storage and handling areas.

## Primary Safety

**Safety Shim** – Ultralift Plus is the only lifter to be supplied with a "Safety Shim." This allows pre-testing of the load, irrespective of weight, material type/thickness and surface condition.



**Ultralift PLUS**

**ECLIPSE MAGNETICS**  
SHEFFIELD, ENGLAND  
Telephone: ++44 (0) 114 225 0600  
Fax: ++44 (0) 114 225 0610  
www.eclipsemagnetics.com

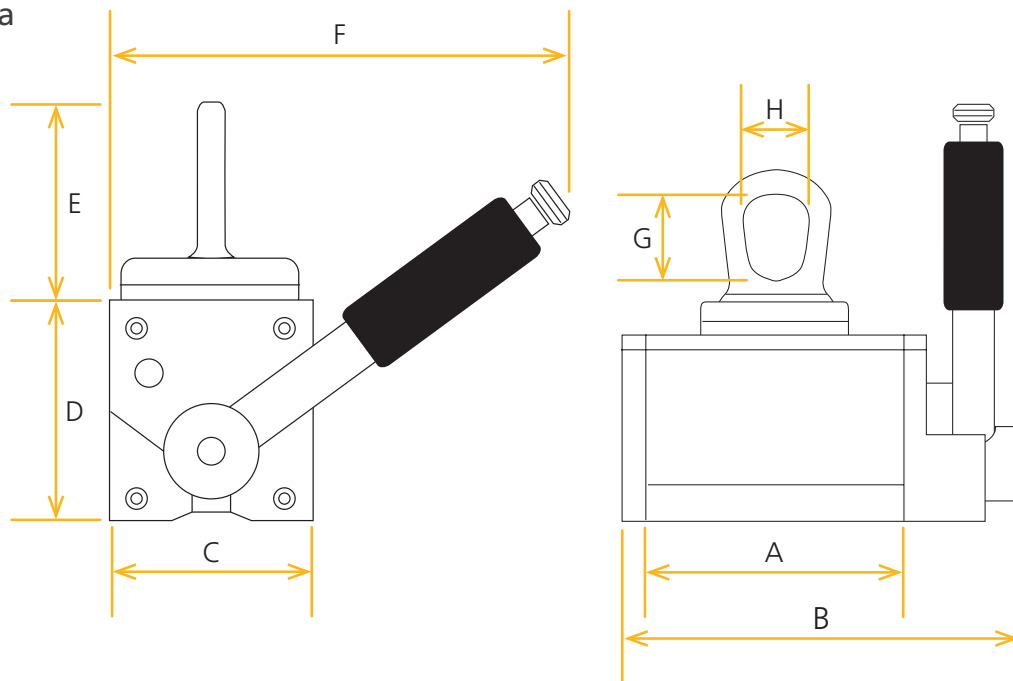
**UL0125+ (UL0275+)**

CE (ASME B30.20)  
PATENT No. GB23399456.  
SELF WEIGHT 4.25kg (9.4lb)

READ MANUAL BEFORE USE  
HANDBUCH VOR GEBRAUCH LESEN  
LISEZ LE MANUEL AVANT L'EMPLOI  
LEA EL MANUAL ANTES DEL USO  
LEGGI IL MANUALE PRIMA DELL'USO  
使用前請仔細閱讀使用手冊



## Technical Data



| Product | Self Weight<br>kg | Flat Section |                |             | Round Section |               |          | Dimensions mm |     |     |     |     |     |    |    |
|---------|-------------------|--------------|----------------|-------------|---------------|---------------|----------|---------------|-----|-----|-----|-----|-----|----|----|
|         |                   | WLL *        | Thickness Min. | Length Max. | WLL           | Diameter Max. | Length** | A             | B   | C   | D   | E   | F   | G  | H  |
|         |                   | kg           | mm             | mm          | kg            | mm            | mm       |               |     |     |     |     |     |    |    |
| UL0125+ | 4                 | 125          | 20             | 1500        | 50            | 200           | 1500     | 101           | 155 | 69  | 74  | 64  | 152 | 34 | 27 |
| UL0250+ | 11                | 250          | 25             | 1500        | 100           | 300           | 1500     | 155           | 214 | 92  | 96  | 96  | 218 | 51 | 40 |
| UL0500+ | 27                | 500          | 30             | 2000        | 200           | 400           | 2000     | 224           | 300 | 122 | 128 | 124 | 266 | 63 | 49 |
| UL1000+ | 63                | 1000         | 45             | 3000        | 400           | 450           | 3000     | 260           | 359 | 176 | 174 | 140 | 382 | 71 | 55 |

\* Working Load Limit

\*\* Do not operate at maximum length and maximum diameter on the same item. ALWAYS work within WLL stated.



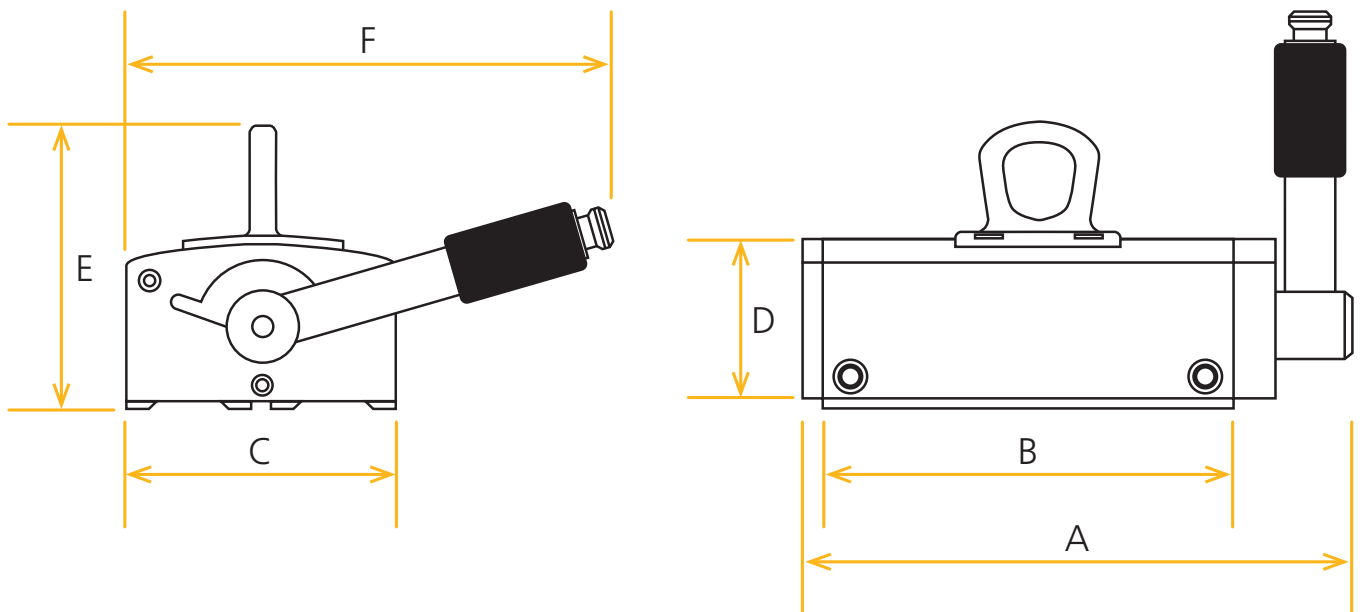
# Ultralift TP

The choice for safe lifting of Thin Plate and sheet materials



- Permanent magnetic lifter for the safe lifting of thin plate and sheet pressings
- Guaranteed lifting of single plates
- Simple, quick operation

## Technical Data



| Product | Self Weight<br>kg | Material Thickness |             |       |             |      |             |      |             | Dimensions mm |     |     |    |     |     |
|---------|-------------------|--------------------|-------------|-------|-------------|------|-------------|------|-------------|---------------|-----|-----|----|-----|-----|
|         |                   | 5mm                |             | 6mm   |             | 8mm  |             | 10mm |             | A             | B   | C   | D  | E   | F   |
|         |                   | WLL*               | Length Max. | WLL * | Length Max. | WLL* | Length Max. | WLL* | Length Max. |               |     |     |    |     |     |
| TP150   | 8                 | 75                 | 1500        | 100   | 1500        | 150  | 1500        | 200  | 1500        | 202           | 150 | 101 | 74 | 126 | 181 |
| TP300   | 15                | 150                | 2000        | 200   | 2000        | 300  | 2000        | 400  | 2000        | 352           | 300 | 101 | 74 | 126 | 181 |

\* Working Load Limit.

\*\* Do not operate at maximum length and maximum diameter on the same item. ALWAYS work within WLL stated.

# Inspection, Servicing, Maintenance & Certification



## Inspection

All Magnetic Lifters should be periodically checked to ensure they are in good working order and to ensure the equipment always complies with PUWER & LOLER regulations, ASME B30.20 and local H&S advice.

Should the data plates become detached or damaged please contact your supplier immediately for replacement plates as they provide key information on the product detail such as WLL (Working Load Limit) / SWL (Safe Working Load).

## Eclipse Magnetics' ServiceCare & Maintenance

We believe servicing costs should be affordable for your Magnetic Lifter, which is why we offer ServiceCare, an easy way to ensure your Magnetic Lifter is in full working order and has all the correct certifications. There are two different options:

1. On-site visit by an Eclipse Magnetics' fully trained Engineer.
2. At an Eclipse Magnetics' Service Centre (Includes Annual Lifter Test option) and repairs.

All Magnetic Lifters should be ideally serviced every 6 months by a trained professional. The chart below shows our recommended servicing and maintenance schedule which must include an Annual Lifter Test.

| Operation                                   | Frequency |        |         |          |
|---|-----------|--------|---------|----------|
|   | Daily     | Weekly | Monthly | Annually |
| Inspect pole feet for damage                | ✓         |        |         |          |
| Inspect lifting eye for damage and security |           | ✓      |         |          |
| Safety mechanism operation (if applicable)  |           | ✓      |         |          |
| Inspect data plates for damage              |           |        | ✓       |          |
| Proof test WLL / SWL                        |           |        |         | ✓        |



The magnetic performance of each lifter must be checked annually. The Annual Lifter Test that Eclipse Magnetics provides includes the following:

- ✓ Visual Inspection
- ✓ Estimated & Actual kgs Pull Force Test (WLL / SWL proof test check)
- ✓ Appraisal of Installations & Applications
- ✓ Issue of Test Certification (where applicable)
- ✓ Submittal of a full report including any recommendations

With our ServiceCare packages, you can be rest assured that your Magnetic Lifter is in full working order and have the correct certifications to comply with all required regulations.





WLL (rectangular plates) (100%) 100kg / 220lbs  
WLL (round bar) (100%) ~30kg / ~66lbs  
Temperature range -40 to +60 / -40 to +176 / deg C / deg F  
Read the manual before use  
Inspect this unit regularly - at least every 12 months  
Always use LOLER, PUWER, ADSS, BS30.20 and HAS advice

**ECLIPSE**  
MAGNETICS  
**PERFORMANCE DATA - PLEASE REFER TO THE USER MANUAL**  
ULE0100 / ULE0220

M0002 22

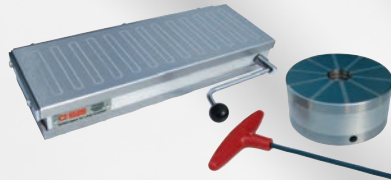
# Our Other Magnetic Technology Products

In addition to our magnetic lifters range, Eclipse Magnetics manufacture a wide range of high performance magnetic products for diverse applications.

Sub-Micron Magnetic Filtration for Industrial Fluids



Workholding Systems



Magnetic Workshop Aids



Magnetic Materials & Assemblies



Foreign Body Removal & Separation Systems



Heating System Filters



## Eclipse Magnetics Worldwide

**Europe**  
Atlas Way  
Sheffield  
S4 7QQ  
England

T +44 (0)114 225 0600  
F +44 (0)114 225 0610  
sales@eclipsemagnetics.com

**Americas**  
442 Millen Road, Unit 9,  
Stoney Creek  
Ontario, L8E 6H2,  
Canada

T +1 905-664-5585  
F +1 905-664-7090  
sales@eclipsemagnetics.com

**China**  
No. 168 Chengjian Road  
Minhang District  
Shanghai  
PR China

T +86 21 6434 8600 \*150  
F +86 21 6434 6488  
szhou@eclipsemagnetics.com



A Spear & Jackson Company



ISO 9001  
Quality  
Management  
Systems  
CERTIFIED

ISO 14001  
Environmental  
Management  
CERTIFIED

